

FEATURES

- High end aluminum heatsink with a unique elegant design
- PCB with a high power Cree Powered in 2700, 3000K and 4000K
- Illuxtron patented optical lens system that makes pin-hole light possible
- Anti glare cap that ensures no stray light. The total light opening is only 8mm!

Bartenbach
lighting optics



SPRINGS

Standard with WS springs (gyproc/metal). Also available as above with CS springs (concrete).



COLOURS

Available colours:



Matt white RAL 9016 (XX=MW)
Matt black RAL 9005 (XX=BL)

Pointer 68 adj

Adjustable

SPECIFICATIONS

Beam angle (FWHM)	35° (45° FWTM) / 60° (80° FWTM)
Fixture material	Die cast aluminium
Environment	Indoor
IK rate	IK10
Operating temperature (Ta)	-20°C / +45°C ¹
Safety marks	EN60598 / EN62031 / EN62471
EMC compliance	EN55015
Colour consistency (SDCM)	MacAdam step 3
Warranty	7 years * (within the European Union and the countries of the Free Trade Association for products delivered after 1 May 2015)
Energy class	A

This luminaire contains built-in LED lamps. There are no exchangeable parts inside the luminaire. EU 874/2012

¹ In applications with a flat roof (fi. car showrooms) the temperatures may exceed 45°C. Please ask our sales office for a special driver.

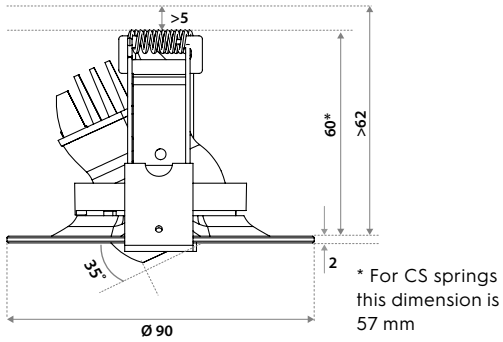


IP20

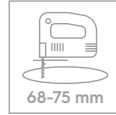
POINTER 68 ADJ VARIATIONS

Pointer 68 adj LV	220-240V	incl. power supply	page 3
Pointer 68 adj LV-C	500mA	to be connected to a central power supply	page 4

DIMENSIONS



HOLE SIZE



Using WS (wire) springs (gyproc/metal)

For 1-30 mm ceiling thickness.
Recess depth 62 mm (incl. 5mm space for air ventilation).

Using CS (concrete) springs (concrete/gyproc)

For 5-62 mm ceiling thickness.
Recess depth 62 mm (incl. 5mm space for air ventilation).

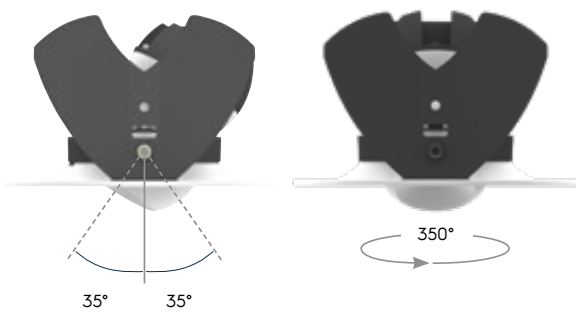
FIRE RATING TUBE

Description	Item code	Hole size	time
Fire rating tube 68	009F03MW0000	ø74x71mm	90 min.



⚠ Only in combination with WS (wire) springs versions.

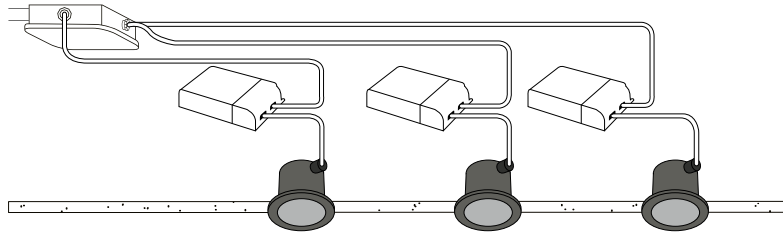
ADJUSTMENT OPTIONS



POINTER 68 ADJ (dimmable - incl. individual power supply)

220-240V

Downlight incl. PSU



ITEM SPECIFICATIONS (PART A)

Description	Item code WS	Item code CS	Input	W	Lm	Lm/W	CRI (typ.)	UGR	Pf	Ripple	Inrush current	B-16A Fuse
Pointer 68 adj LV 35° 350 Lm 2700K Triac dim	082703XXWN13	082703XXLG13	220-240V	6,6	350	53	85	5.9	0.96	<20%	2A 50µS	50 pcs
Pointer 68 adj LV 35° 375 Lm 3000K Triac dim	082703XXWP13	082703XXLH13	220-240V	6,6	375	57	85	6.2	0.96	<20%	2A 50µS	50 pcs
Pointer 68 adj LV 35° 400 Lm 4000K Triac dim	082703XXWQ13	082703XXLJ13	220-240V	6,6	400	61	85	7.9	0.96	<20%	2A 50µS	50 pcs
Pointer 68 adj LV 60° 400 Lm 2700K Triac dim	082703XXWRI3	082703XXLK13	220-240V	6,6	400	61	85	16.4	0.96	<20%	2A 50µS	50 pcs
Pointer 68 adj LV 60° 425 Lm 3000K Triac dim	082703XXWS13	082703XXLL13	220-240V	6,6	425	64	85	16.6	0.96	<20%	2A 50µS	50 pcs
Pointer 68 adj LV 60° 450 Lm 4000K Triac dim	082703XXWT13	082703XXLM13	220-240V	6,6	450	68	85	16.8	0.96	<20%	2A 50µS	50 pcs
Pointer 68 adj LV 35° 350 Lm 2700K 1-10V & Push	082703XXXG13	082703XXWG13	220-240V	6,6	350	53	85	5.9	0.95	<3%	5A 50µS	50 pcs
Pointer 68 adj LV 35° 375 Lm 3000K 1-10V & Push	082703XXXH13	082703XXWH13	220-240V	6,6	375	57	85	6.2	0.95	<3%	5A 50µS	50 pcs
Pointer 68 adj LV 35° 400 Lm 4000K 1-10V & Push	082703XXXJ13	082703XXWJ13	220-240V	6,6	400	61	85	7.9	0.95	<3%	5A 50µS	50 pcs
Pointer 68 adj LV 60° 400 Lm 2700K 1-10V & Push	082703XXXK13	082703XXWK13	220-240V	6,6	400	61	85	16.4	0.95	<3%	5A 50µS	50 pcs
Pointer 68 adj LV 60° 425 Lm 3000K 1-10V & Push	082703XXXL13	082703XXWL13	220-240V	6,6	425	64	85	16.6	0.95	<3%	5A 50µS	50 pcs
Pointer 68 adj LV 60° 450 Lm 4000K 1-10V & Push	082703XXXM13	082703XXWM13	220-240V	6,6	450	68	85	16.8	0.95	<3%	5A 50µS	50 pcs
Pointer 68 adj LV 35° 350 Lm 2700K Dali	082703XXW013	082703XXL013	220-240V	6,6	350	53	85	5.9	0.95	<3%	5A 50µS	50 pcs
Pointer 68 adj LV 35° 375 Lm 3000K Dali	082703XXW113	082703XXL113	220-240V	6,6	375	57	85	6.2	0.95	<3%	5A 50µS	50 pcs
Pointer 68 adj LV 35° 400 Lm 4000K Dali	082703XXW213	082703XXL213	220-240V	6,6	400	61	85	7.9	0.95	<3%	5A 50µS	50 pcs
Pointer 68 adj LV 60° 400 Lm 2700K Dali	082703XXW313	082703XXL313	220-240V	6,6	400	61	85	16.4	0.95	<3%	5A 50µS	50 pcs
Pointer 68 adj LV 60° 425 Lm 3000K Dali	082703XXW413	082703XXL413	220-240V	6,6	425	64	85	16.6	0.95	<3%	5A 50µS	50 pcs
Pointer 68 adj LV 60° 450 Lm 4000K Dali	082703XXW513	082703XXL513	220-240V	6,6	450	68	85	16.8	0.95	<3%	5A 50µS	50 pcs

ITEM SPECIFICATIONS (PART B)

Description	Safety class	Energy class	Weight	Dimensions single carton	Quantity per pallet	Expected lifespan (25°C)		
						L70B50	L80B50	L90B50
Pointer 68 adj LV Triac dim	II	A	276 gr	105x105x61 mm	42 pcs	60.500 hrs	43.000 hrs	26.000 hrs

All values are measured at 230V (+/- 7%)

INCL. PSU

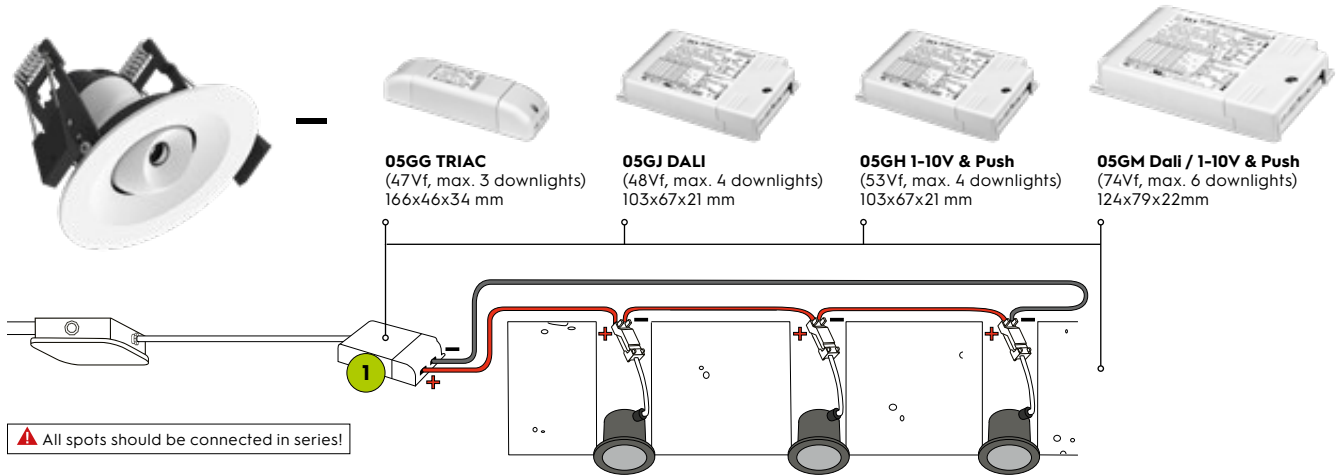
- PSU TCI 127042 Triac dim 102x38x21 mm
- PSU TCI 123400 1-10V & Push 102x38x21 mm
- PSU TCI 127576 Dali 147x44x22 mm



Cable
150 mm

POINTER 68 ADJ (dimmable - excl. central power supply)

500 mA



ITEM SPECIFICATIONS (PART A)

Description	Item code WS	Item code CS	Input	Vf	W	Lm	Lm/W	CRI (typ.)	UGR	Pf	Ripple	Inrush current	B-16A Fuse
Pointer 68 adj LV-C 500mA 35° 350 Lm 2700K	082703XXWN11	082703XXLG11	500mA	11,4	5,7	350	61	85	7.2	x	x	x	x
Pointer 68 adj LV-C 500mA 35° 375 Lm 3000K	082703XXWP11	082703XXLH11	500mA	11,4	5,7	375	66	85	7.3	x	x	x	x
Pointer 68 adj LV-C 500mA 35° 400 Lm 4000K	082703XXWQ11	082703XXLJ11	500mA	11,4	5,7	400	70	85	7.5	x	x	x	x
Pointer 68 adj LV-C 500mA 60° 400 Lm 2700K	082703XXWR11	082703XXLK11	500mA	11,4	5,7	400	70	85	16.3	x	x	x	x
Pointer 68 adj LV-C 500mA 60° 425 Lm 3000K	082703XXWS11	082703XXLL11	500mA	11,4	5,7	425	75	85	16.6	x	x	x	x
Pointer 68 adj LV-C 500mA 60° 450 Lm 4000K	082703XXWT11	082703XXLM11	500mA	11,4	5,7	450	79	85	16.8	x	x	x	x

ITEM SPECIFICATIONS (PART B)

Description	Safety class	Energy class	Weight	Dimensions single carton	Quantity per pallet	Expected lifespan (25°C)		
						L70B50	L80B50	L90B50
Pointer 68 adj LV-C 500mA	III	A	226 gr	105x105x61 mm	42 pcs	60.500 hrs	43.000 hrs	26.000 hrs

ITEM SPECIFICATIONS (PART A)

Description	Item code	Input	Watt	Current	Efficiency	Pf	Ripple	Weight	Inrush current	B-16A Fuse
PSU 32W 500mA Triac (1)	05GG03MLME00	220-240V	32W (47Vf)	500mA	85%	0.97	<3%	138 gr	5A 50µS	50 pcs
PSU 32W 500mA Dali (1)	05GJ03MLME00	220-240V	32W (48Vf)	500mA	87%	0.98	<3%	138 gr	5A 50µS	50 pcs
PSU 32W 500mA 1-10V & Push (1)	05GH03MLME00	220-240V	32W (53Vf)	500mA	90%	0.95	<3%	138 gr	5A 50µS	50 pcs
PSU 50W 500mA Dali / 1-10V & Push (1)	05GM03MLME00	220-240V	50W (74Vf)	500mA	89%	0.95	<3%	218 gr	20A 400µS	50 pcs

All values are measured at 230V (+/- 7%)

INCLUDING CONNECTION BOX

For installation to a central power supply.

