

EMERGENCY CONTROL



BATTERY PACK



LED INDICATOR



Emergency Pack

SPECIFICATIONS

Input Voltage	220-240V 50-60Hz
Emergency Wattage	2-4,5W
Safety Marks	EN 61000 / 61347 / EN61547
EMC compliance	EN55015
Operating temperature	0° - 45°C
Max. pcs for B16A	27 pcs
Inrush current	27A 250usec
IP rate	IP20
Environment	Indoor
Housing material	Polyamid
Expected Lifetime	4 years
Warranty	2 years
Battery type	Ni-Cd
Charging time	24 Hrs (max. 500x)
Length LED cable	350mm
Hole size for Indicator	Ø 9mm
Indicator green	No action needed

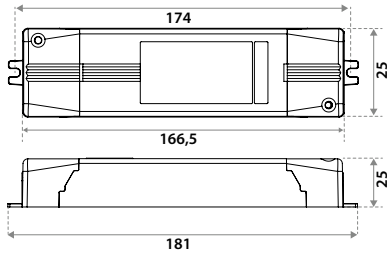


ITEM SPECIFICATIONS

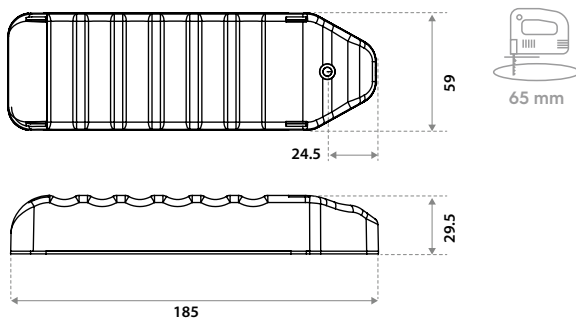
Description	Item code	Type	Battery capacity
EP 1Hr	185LVPS3EPI-4A	incl. battery and lamp	7,2V -1,6 Ah
EP 3Hr	185LVPS3EP3-4	incl. battery and lamp	7,2V -4,0 Ah

DIMENSIONS

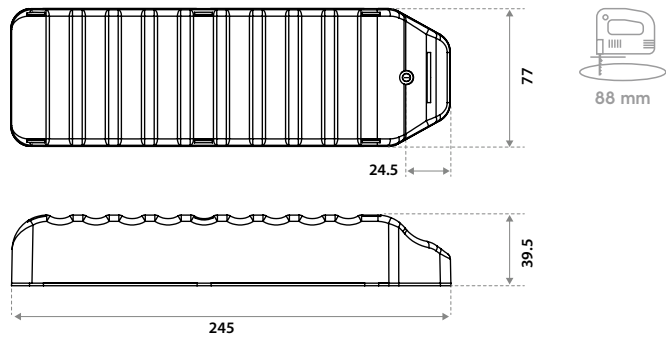
Emergency control



Battery Pack 1Hr



Battery Pack 3Hr



LED INDICATOR



Large downlights:

Indicator can be mounted into the rim of the downlight.

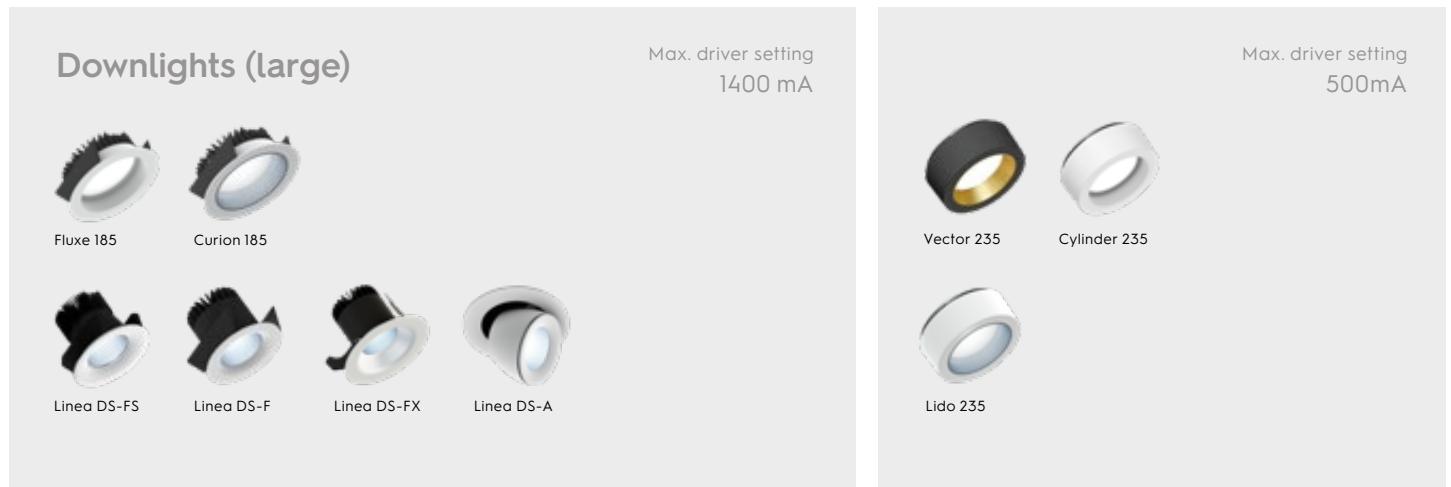
Small downlights:

Indicator can be mounted into the ceiling next to the downlight

EM PACK TCI ELED HP/1 - BATTERY Ni-Cd 7,2V 1,6Ah (123023K)

Spot	TCI ELEDHP/1				Working time hr + min
	Luminaitre Vf (V)	Measured power		P _{out} (W)	
		Vf (V) @ I _{out}	I _{out} (mA)		
Minidownlights	12	11,2	197,0	2,2	2 hr + 52 min
Minidownlights 2 in series	24	21,9	171,5	3,8	1 hr + 40 min
LV downlights	36	32,1	128,3	4,1	1 hr + 38 min
Ceiling plates	48	42,0	86,0	3,6	1 hr + 49 min

EXAMPLE LIGHT OUTPUT LV DOWNLIGHTS



The Emergency Value must be calculated by taking the right wattage

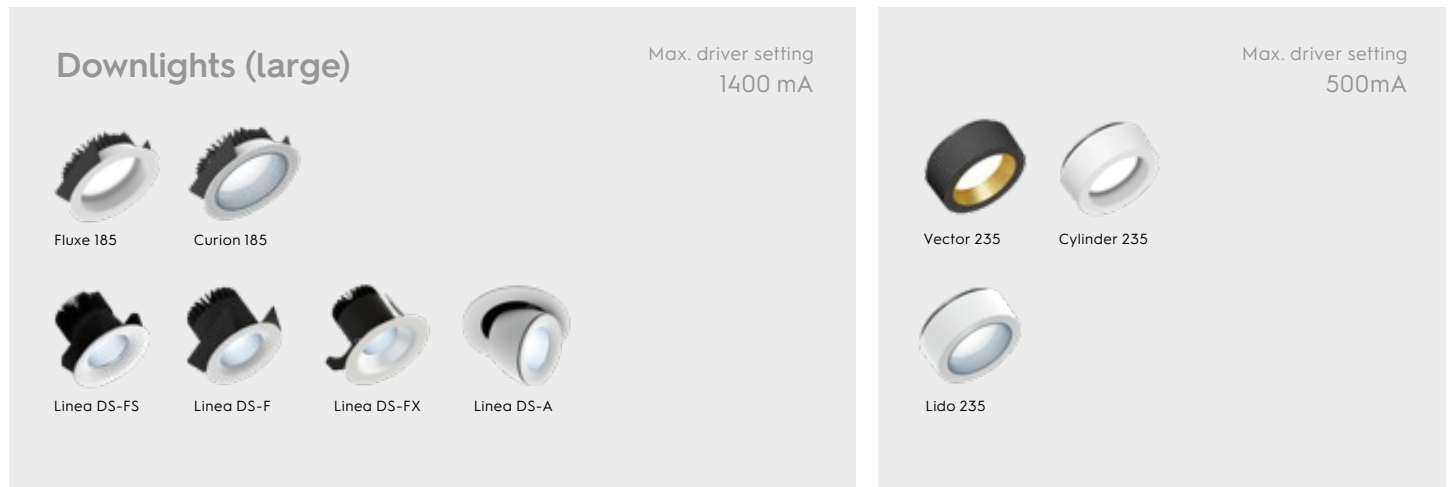
Setting 250mA = 9,4 W = 1200 Lm (3000K CRI80)
 1400 Lm (4000K CRI80)
 800 Lm (3000K CRI97)

Emergency mode = 4,1 W = 525 Lm (3000K CRI80)
 EM Pack 1H 620 Lm (4000K CRI80)
 350 Lm (3000K CRI97)

EM PACK TCI ELED HP/3 - BATTERY Ni-Cd 7,2V 4Ah (123023/3K)

Spot	Luminaires	TCI ELEDHP/3			Working time hr + min
		Measured power			
	V _f (V)	V _f (V) @ I _{out}	I _{out} (mA)	P _{out} (W)	
Minidownlights	12	11,3	214,0	2,2	6 hr + 41 min
Minidownlights 2 in series	24	18,0	196,4	3,5	4 hr + 4 min
LV downlights	36	32,2	132,0	4,3	3 hr + 51 min
Ceiling plates	48	42,0	90,0	3,8	4 hr + 28 min

EXAMPLE LIGHT OUTPUT LV DOWNLIGHTS

**The Emergency Value must be calculated by taking the right wattage**

Setting 250mA = 9,4 W = 1200 Lm (3000K CRI80)
 1400 Lm (4000K CRI80)
 800 Lm (3000K CRI97)

Emergency mode = 4,3 W = 550 Lm (3000K CRI80)
 EM Pack 1H = 640 Lm (4000K CRI80)
 365 Lm (3000K CRI97)